

Thank you for purchasing the HyLite LED Lamp and for investing in the future of Eco-friendly products. By selecting HyLite LED Lamp, you have chosen a High-Quality, Eco-friendly product that is designed for years of Dependable Performance. We trust you will experience years of Reliable Service from it.

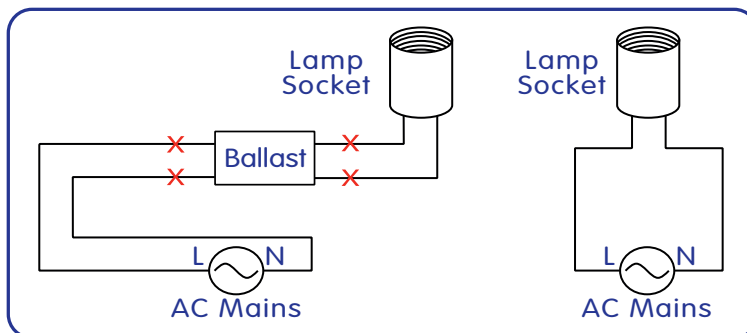
This guide explains the steps necessary to install HyLite LED Lamp in a Fixture. This guide is for reference only and is intended for Qualified Electricians or Lighting Technicians who are familiar with the Construction and Operation of the Product and the Hazards Involved.



Warning: Risk of Fire or Electric Shock. Read and Understand ALL Installation Instructions before Installing or Relamping. LED Retrofit Lamp Installation requires Knowledge of Luminaires Electrical Systems. If not Qualified, DO NOT attempt Installation. Contact a Qualified Electrician or a Lighting Technician.

- Before Conducting any Inspection, Installation, Maintenance, or Removal Disable all Power to the Luminaire. Failure to do so will create a Hazardous and potentially Fatal Working Environment.
- HyLite LED Lamp should only be Installed by a Qualified Electrician/Lighting Technician, and in accordance with ALL the Applicable Installation Codes. Always Connect Ground Lead to Luminaire in accordance with Local and/or National Electrical Codes where applicable. Failure to do so may result in Serious Personal Injury.
- HyLite LED Lamps are Designed to work off 100V~277V, AC or 120V~347V, AC. Check and Verify the Input Lamp Voltage before you begin Installation. Ballast (if equipped) MUST be Bypassed or removed from the Fixture before installing the HyLite LED Lamp. See the "Wiring Diagrams".
- The Installer must Determine and Verify whether 100V~277V, AC or 120V~347V, AC, is being utilized at the Luminaire before installation. Improper Voltage matching can result in Performance Degradation and/or Physical Damage. These Lamps work on "Line Voltage" and require all Ballasts to be By-passed.
- The Installer MUST Ensure that the Fixture has the "Minimum Lamp Compartment Size" available for the Enclosed Fixture Installation, as shown on the Package and where the Input Rating of the Retrofit Lamp does not exceed the Input Rating of the Luminaire.
- Operate in Fixtures that provide the Free Flow of Air around the Lamp. In Enclosed Fixtures, ensure the Lamp has enough Space for Heat Dissipation. This will ensure Lumen Maintenance and Extend its Working Life. Failure to Follow these Instructions will result in a Damaged Product and will VOID Warranty. When Products are used in Outdoor Fixtures, ensure the Space is Waterproof and Well-Ventilated.
- The Installer must Ensure and Verify that NO part of the installed LED Lamp should touch the Fixture Housing or Components.
- Luminaire Wiring, Ballast, or other Electrical Parts may be Damaged when Installing. ALWAYS Check for Enclosed Wiring and Components.
- Warning: To prevent Wiring Damage or Abrasion, DO NOT Expose Wiring to Edges of Sheet Metal or other Sharp Objects.
- DO NOT make or Alter any Open Holes in an Enclosure of Wiring or Electrical Components during Kit Installation
- DO NOT Remove Cover. No User-Serviceable Parts inside.
- DO NOT Block Light emanating from Product in Whole or Part, as this may Cause an Unsafe Condition.
- Installing Surge/Lightning Protectors is Highly Recommended and helps to Eliminate Premature Driver Failure caused by Surges and other Power Fluctuations.
- Not intended for use in Emergency Exit Fixtures or Exit Lights. Not for use on a Dimmer or Remote Controls.
- This Retrofit Kit is accepted as a component of a Luminaire where the suitability of the combination shall be determined by Authorities having JURISDICTION. The end Retrofit Fixture, once modified, can no longer Operate as was Originally Intended.
- Failure to follow ALL Instructions can result in a Damaged Product and will VOID Warranty. It could also result in an Electric Shock and/or Fire.

Wiring Diagram for
HyLite LED Lamp
(with Internal Driver)

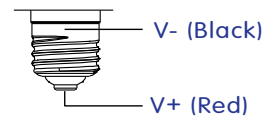
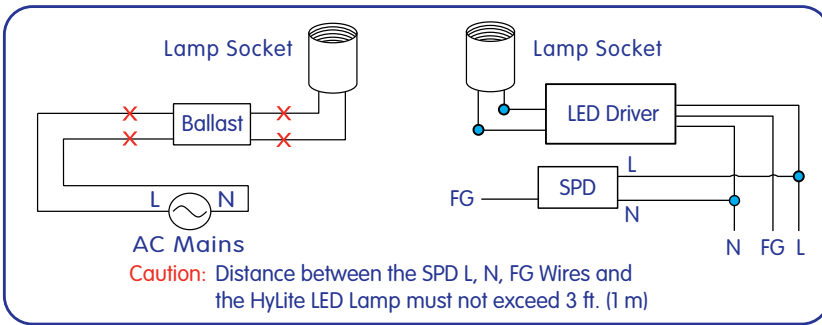


See Back for
More Information

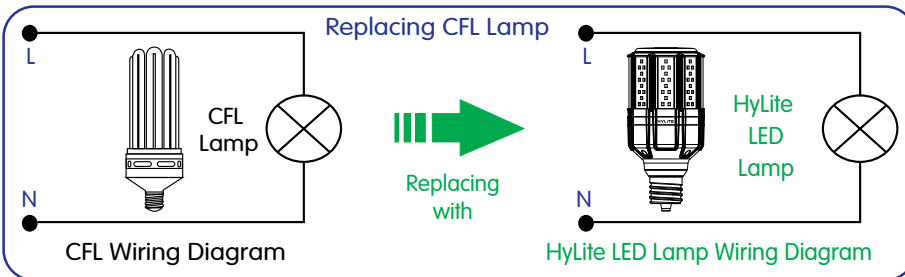
Installation Instructions for HyLite LED Lamp (with Internal Driver):

1. Ensure Breaker is turned off and no Power is going to the Fixture.
2. Unscrew existing Lamp and Recycle appropriately.
3. Open/Access the Ballast compartment and Disconnect the Ballast from the AC Mains and the Socket. If existing system does not have a Ballast, skip to Step 6.
4. Connect the AC Mains to the Wires leading to the Socket.
 - a. To avoid the Risk of Electric Shock, Do Not Connect the "L" and "N" Wire together.
 - b. Use approved Electrical Insulating Tape or Wire Caps to ensure that all the Wires which were cut are well Insulated or Capped.
An Exposed Energized Wire is a Shock and Fire Hazard.
5. Close Ballast Compartment or Junction Box.
6. Apply the HyLite "Cautionary Label" where it can be seen by anyone Installing or Maintaining the Lamp.
7. Screw-In the Lamp. LED Lamps that have been provided with a Safety Cable, ensure that the Safety Cable is Secured to the Fixture.
8. After Installation is Complete, turn Breaker back ON and Switch-on Power.

Installation Instructions for HyLite LED Lamp (with External Driver): Steps 1, 2, 5, 6, 7 & 8 are same as above.



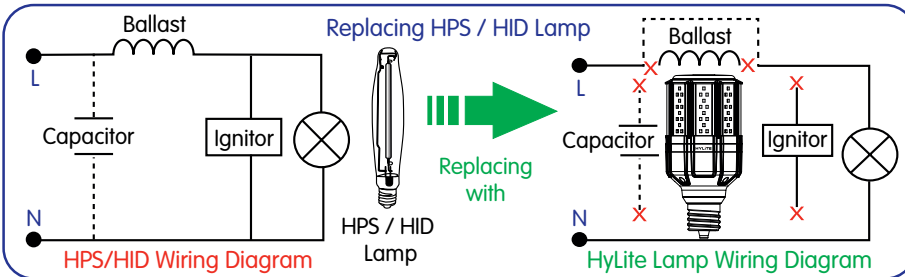
Wiring Diagram for HyLite LED Lamp (with External Driver)



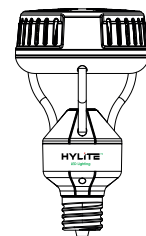
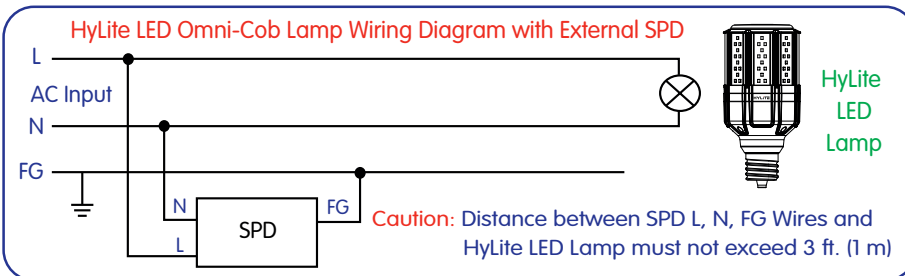
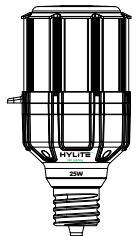
Same Installation Instructions for HyLite LED Lamps:



HyLite LED Arc-Cob Lamp



HyLite LED Omni-Cob Lamp



HyLite LED Intigo Lamp